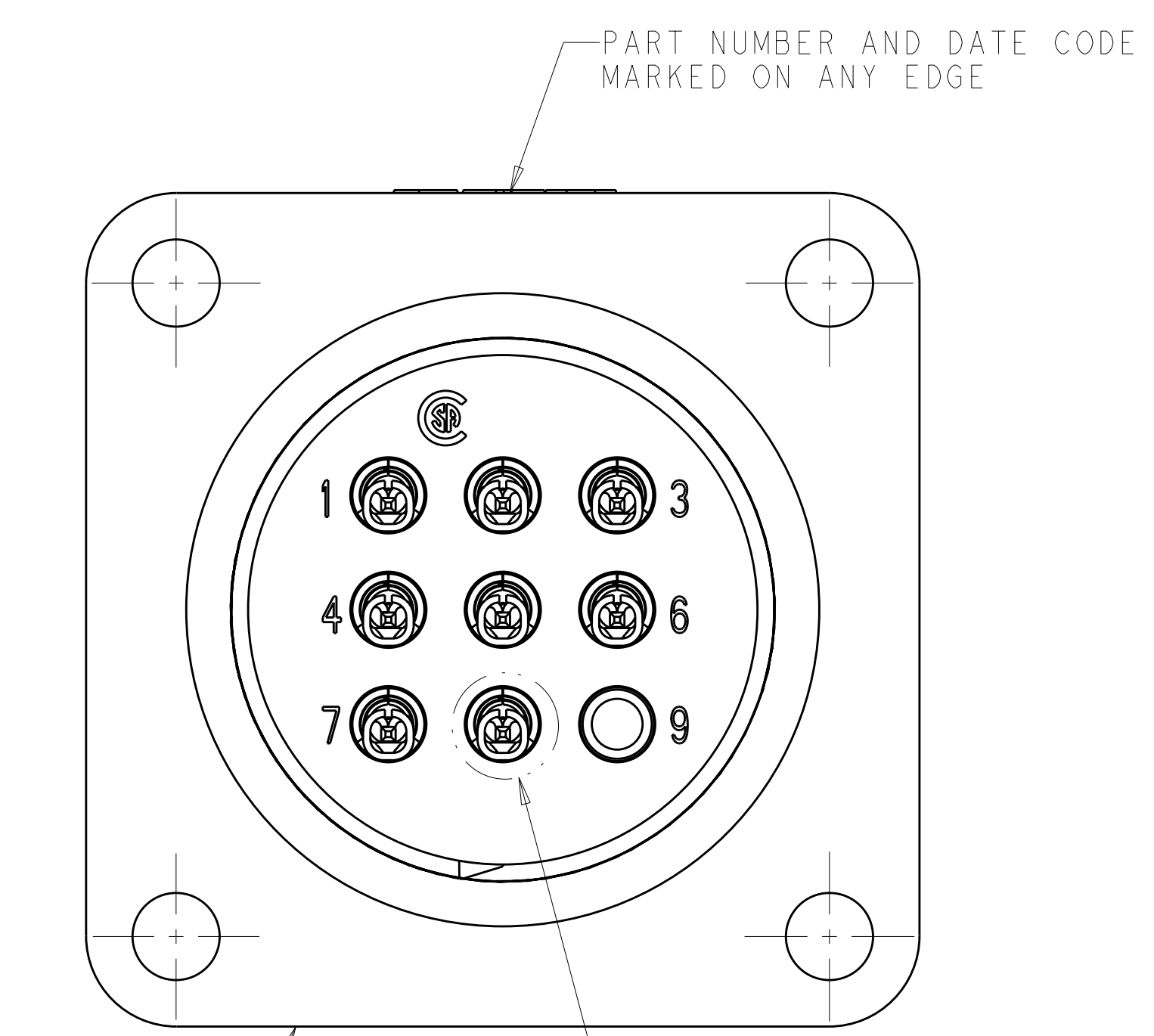
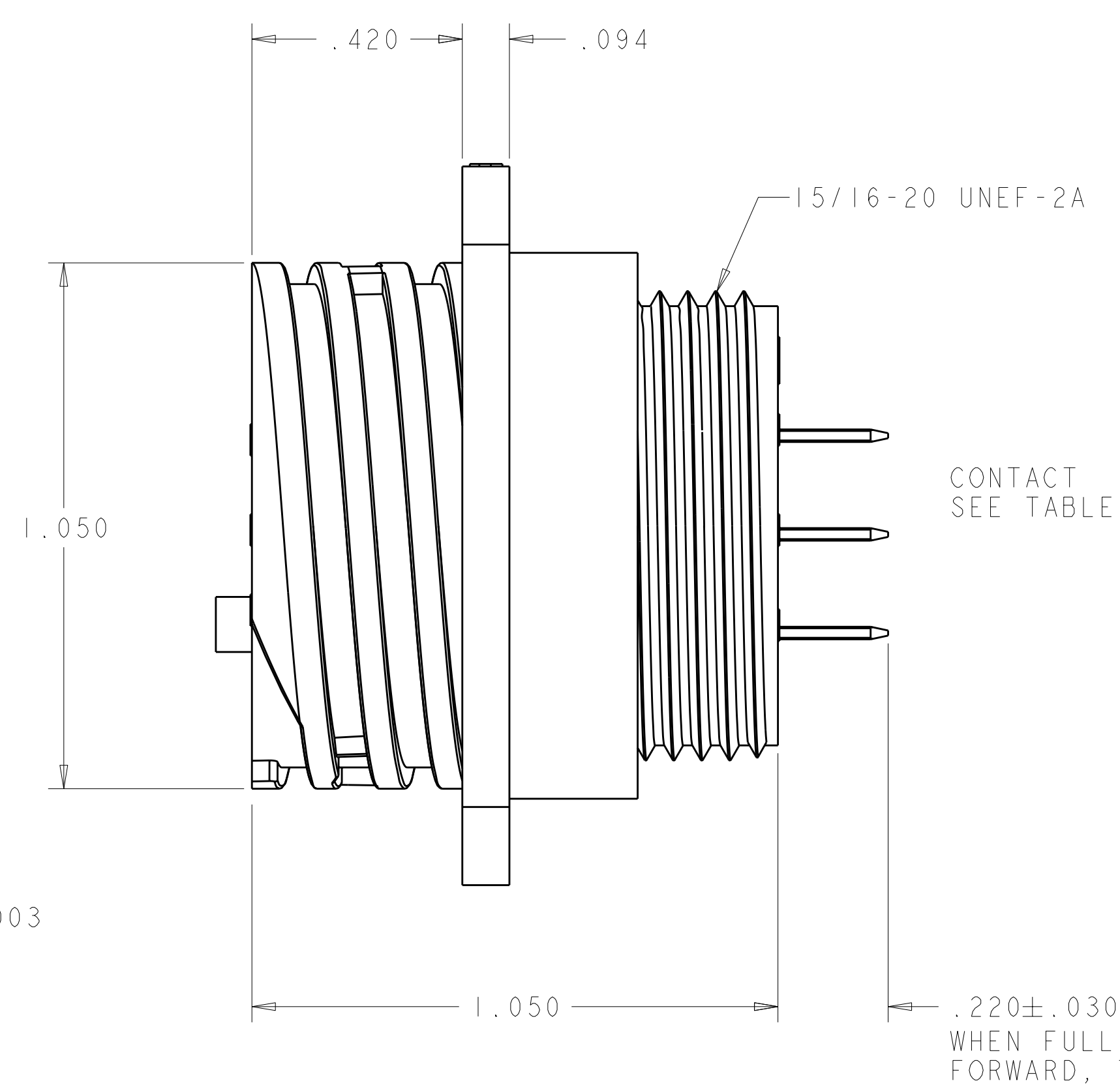
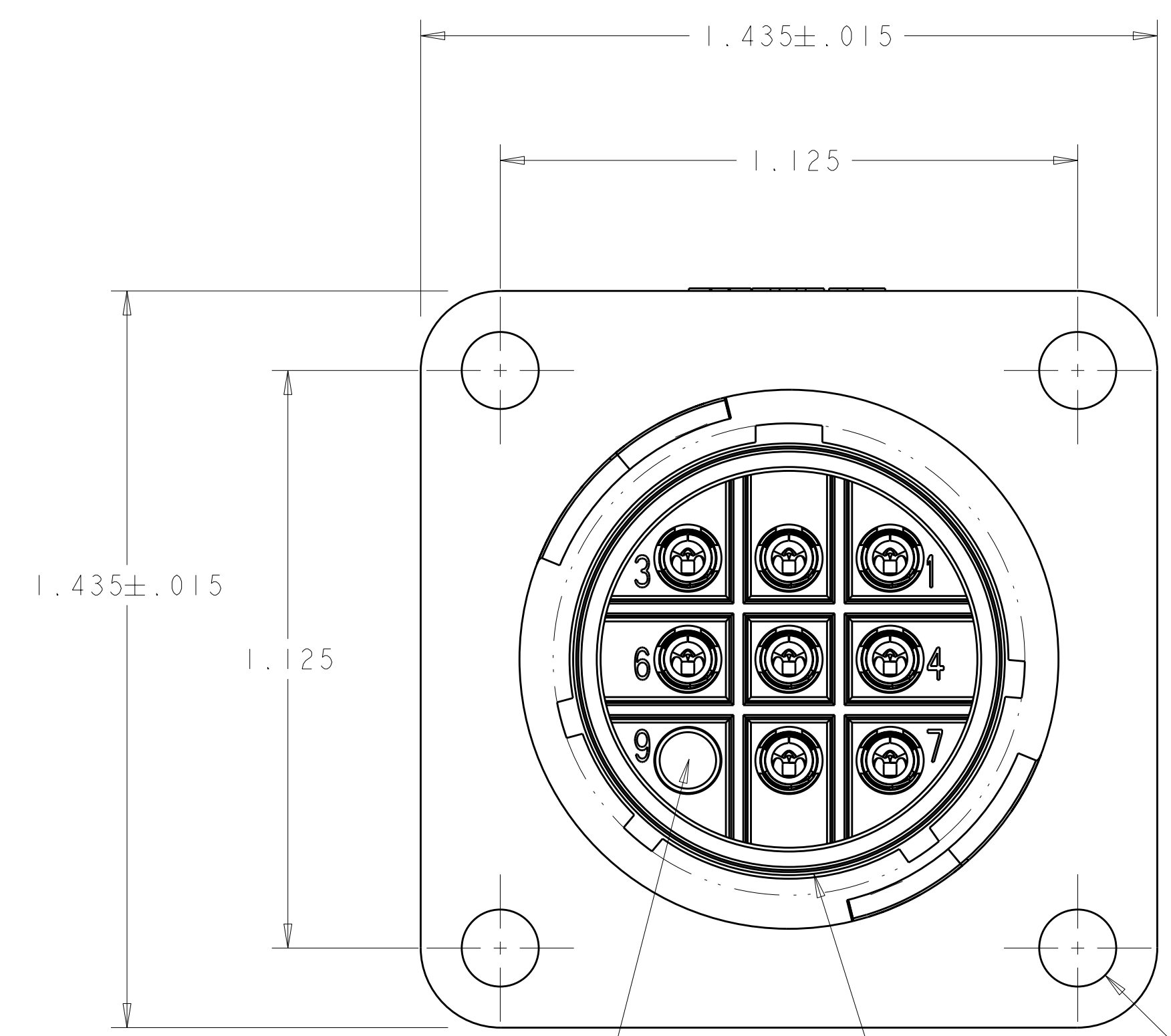


LOC	DIST	REV	DATE	BY	CHKD	APPD
FT	0					
P		ADDED 1-2, 1-3	ECO-06-002610	15FEB2006	SW	SH
PI		REVISED PER ECO-09-025699		12DEC2009	WK	AEG



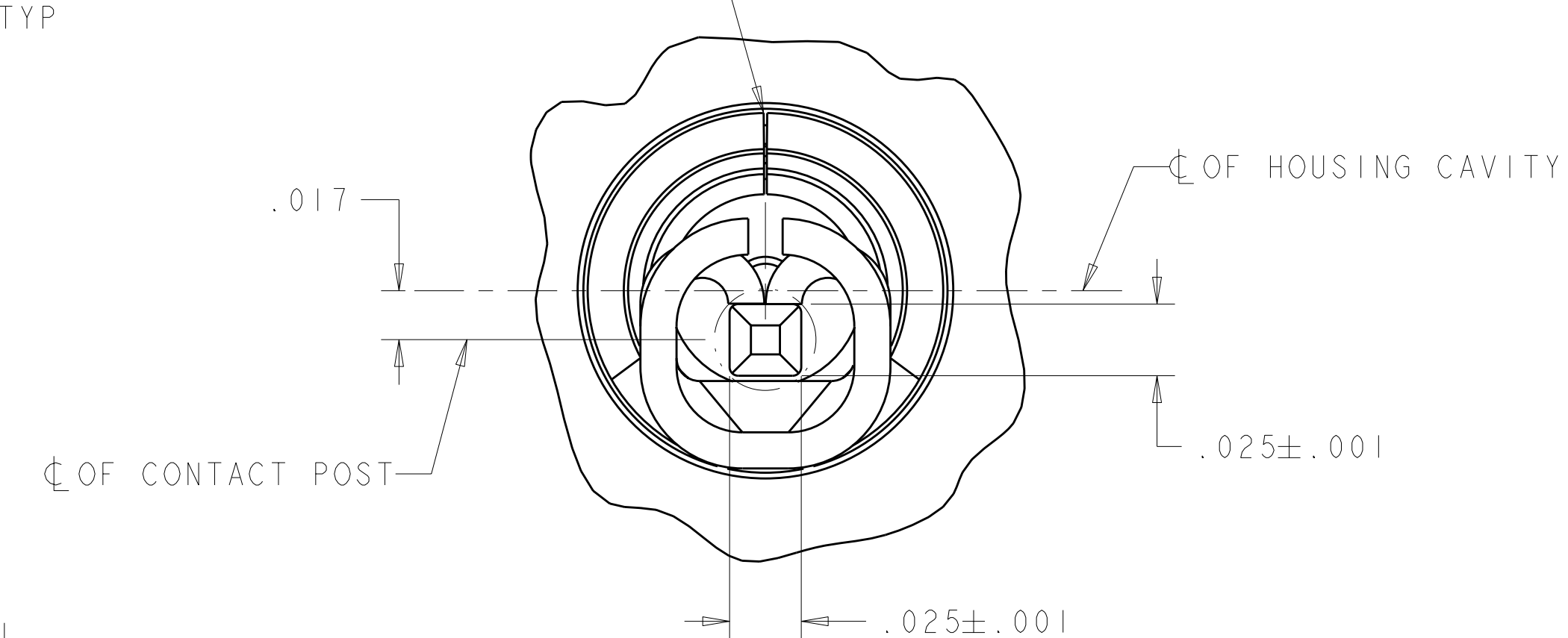
KEYING PLUG SEE TABLE  
 PERIPHERAL SEAL  
 Ø .150±.003  
 4 PLC

CONTACT  
 SEE TABLE

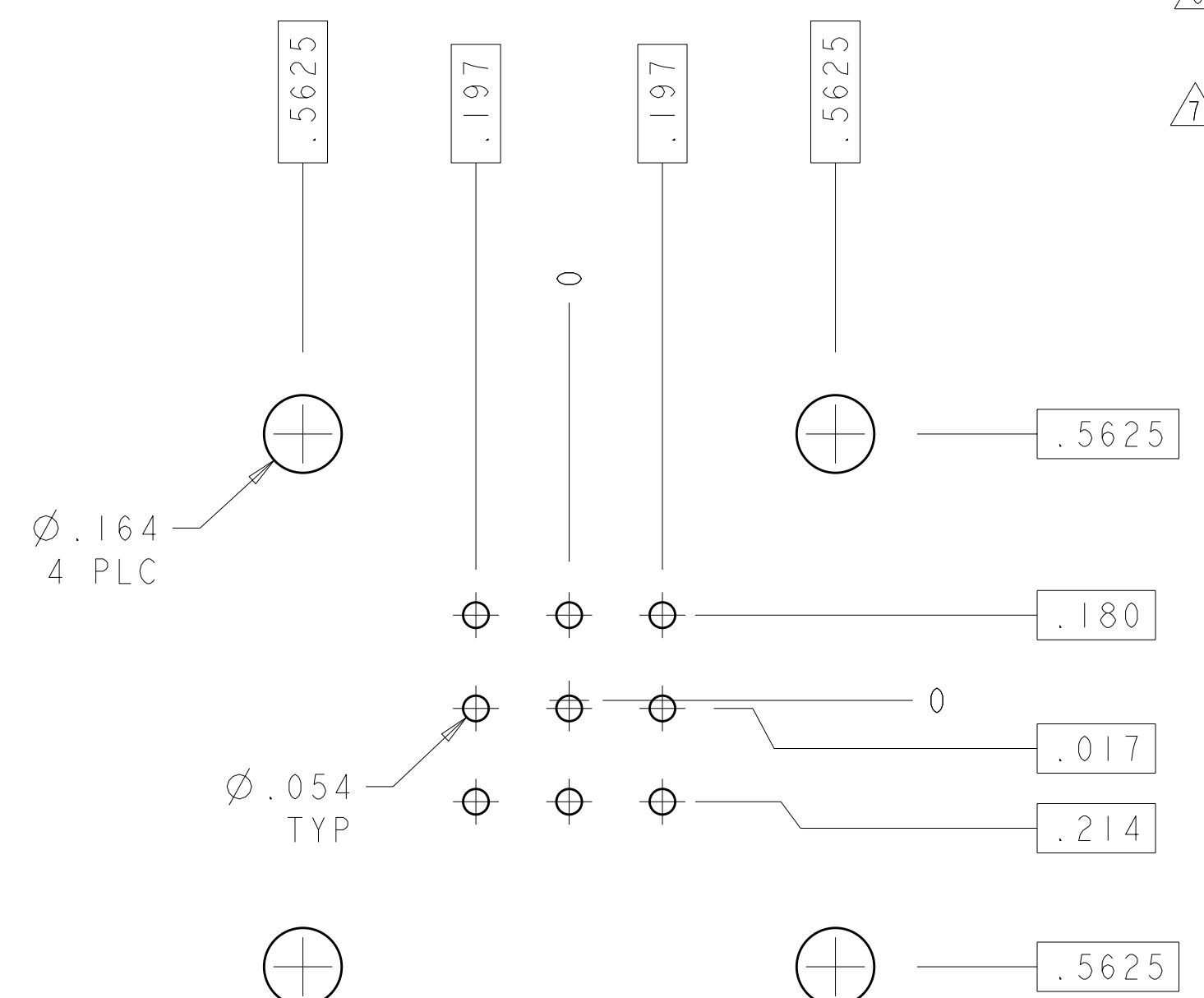
HOUSING  
 SEAM REF  
 SEE DETAIL V

.220±.030  
 WHEN FULLY SEATED  
 FORWARD, TYP

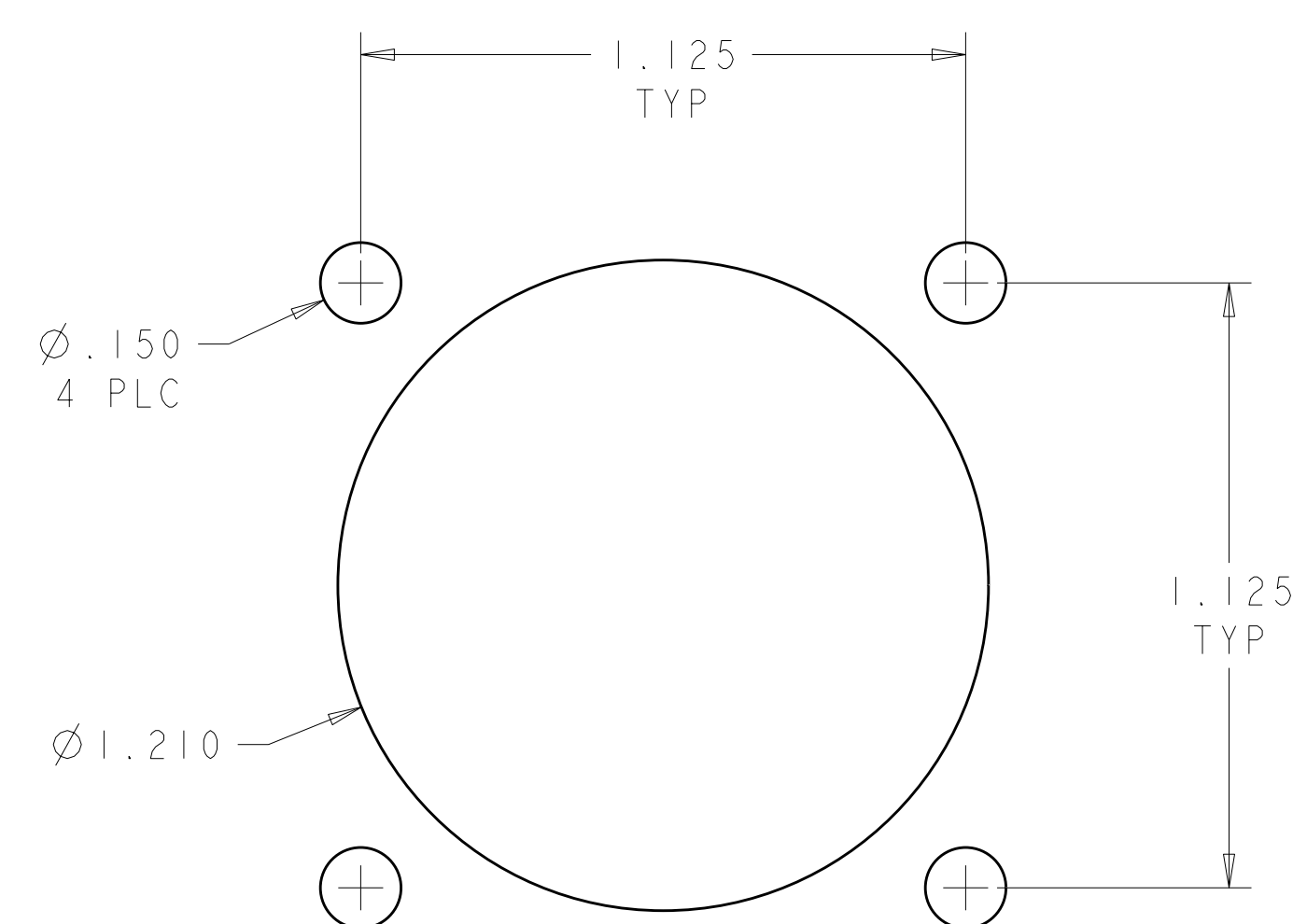
- △ HOUSING: NYLON, UL 94 V-0 RATED, BLACK.
- △ CONTACT:  
 BODY - BRASS, .000100 MIN TIN-LEAD OVER .000050 MIN NICKEL.  
 POST - BRASS, .000100 MIN TIN-LEAD OVER .000050 MIN NICKEL.
- △ CONTACT:  
 BODY - BRASS, .000100 MIN TIN OVER .000050 MIN NICKEL.  
 POST - BRASS, .000100 MIN TIN OVER .000050 MIN NICKEL.
- △ PERIPHERAL SEAL: ELASTOMER, GRAY.
- △ KEYING PLUG: NYLON, NATURAL.
- △ .009 MAXIMUM CONTACT LEAD-IN SEAM GAP PERMISSIBLE ON MATING FACE END.
- △ OBSOLETE PARTS: OBSOLETE CIS STREAMLINING PER D.RENAUD/D.SINISI



DETAIL V  
 SCALE 20:1



RECOMMENDED PC BOARD LAYOUT  
 SCALE 3:1



RECOMMENDED PANEL LAYOUT  
 .125 MAX PANEL THICKNESS  
 SCALE 3:1

KEYING PLUG	PERIPHERAL SEAL	FINISH	QTY	SELECT LOAD IN POSITIONS	PART NUMBER	
△	△	POSN 9	YES	△ 8	1-8	1-213826-3
△	△	-	YES	△ 8	1-5, 7-9	1-213826-2
△	△	-	YES	△ 9	ALL	1-213826-1
△	△	POSN 9	YES	△ 8	1-8	1-213826-0
△	△	-	YES	△ 8	1-5, 7-9	213826-9
△	△	POSN 9	YES	△ 8	1-8	213826-8
△	△	-	YES	△ 8	1-5, 7-9	213826-7
△	△	POSN 9	YES	△ 8	1-8	213826-3
△	△	-	YES	△ 8	1-5, 7-9	213826-2
△	△	-	YES	△ 9	ALL	213826-1

DIMENSIONS: INCHES 		TOLERANCES UNLESS OTHERWISE SPECIFIED: 9 PLC ±.0005 5 PLC ±.0010 4 PLC ±.0015 ANGLES ±.0000		DWN S. WELDON 23MAY2003 CHK S. HEADER 23MAY2003 APPD S. HEADER 23MAY2003		Tyco Electronics Harrisburg, PA 17105-3608	
MATERIAL:		FINISH:		PRODUCT SPEC: 108-10024 APPLICATION SPEC: 114-10004		NAME: RECEPTACLE ASSEMBLY, POSTED, REVERSE SEX, SERIES 1, 17-9, CPC SIZE: CAGE CODE DRAWING NO: 00779 C=213826 WEIGHT: 114-10004	
CUSTOMER DRAWING				SCALE 4:1		SHEET 1 OF 1 REV P I	